

IOBA-10F-AD

10.1" RISC Based Panel PC



Features

- 10.1" 1280x800 LCD
- Project Capacitive Touch Screen
- CPU: Freescale i.MX6 Cortex-A9 Quad-Core 1GHz
- OS: Android 5.1
- Boot Flash: 8GB eMMC Nand Flash
- RAM: 2GB DDR3 SDRAM on board
- Grove Interface IOT Sensor connectors



Specifications

Model	IOBA-10F-AD-R10	IOBA-10F-AD-ET-R10
LCD Size	10.1" (16:9)	
Resolution	1280(W) x 800(H)	
Brightness (cd/m ²)	300	
Contrast Ratio	800:01:00	
LCD Color	262K	
Pixel Pitch (mm)	0.1695 x 0.1695	
Viewing Angle	85/85/85/85 Deg.	
Backlight MTBF(hrs)	20000	
Touch Screen	Project Capacitive	
CPU	Freescale i.MX6 Cortex-A9 Quad Core 1.0GHz	
RAM	2GB DDR3 SDRAM on board	
Boot Flash	8G eMMC Nand Flash	
OS	Android 5.1	
Input / Output	1 x 10/100/1000 Mbps Ethernet POE (LAN) 1 x 10/100/1000 Mbps Ethernet 2 x USB 2.0 1 x RS-232/422/485 support software controllable(DB9) 1 x RS-232 (Grove Interface) 1 x NFC (13.56MHz) 3 x Analog sensor connectors (4pin) 3 x I2C sensor connectors (4pin) 1 x DIO1 (6-pin) 1 x DIO2 (4pin) (Grove Interface) 1 x DIO3 (4pin) (Grove Interface) 1 x DC jack 1 x Reset button 1 x MicroSD slot	1 x 10/100/1000 Mbps Ethernet 2 x USB 2.0 1 x RS-232/422/485 support software controllable(DB9) 1 x DC jack 1 x Reset button 1 x MicroSD slot
Audio	1 x 2W Speaker	
Camera	1 x 2MP CMOS webcam	
Thermal Solution	Fanless	
USB	2 x USB 2.0 Host	2 x USB 2.0 Host
Wireless	BT4.0 + Wi-Fi Controller for 802.11 a/b/g/n	N/A
Construction Material	Plastic front cover and rear cover	
Mounting	Panel, Wall	
Color	White	
Dimensions (WxHxD)(mm)	282.5 x 174.3 x 14.7	
Operation Temperature	0°C ~ 50°C	
Storage Temperature	-10°C ~ 60°C	
Humidity	5% ~ 90%RH (no-condensing)	
IP Level	IP64 Front Panel	
Power Input	9V ~ 30V DC	

Ordering Information

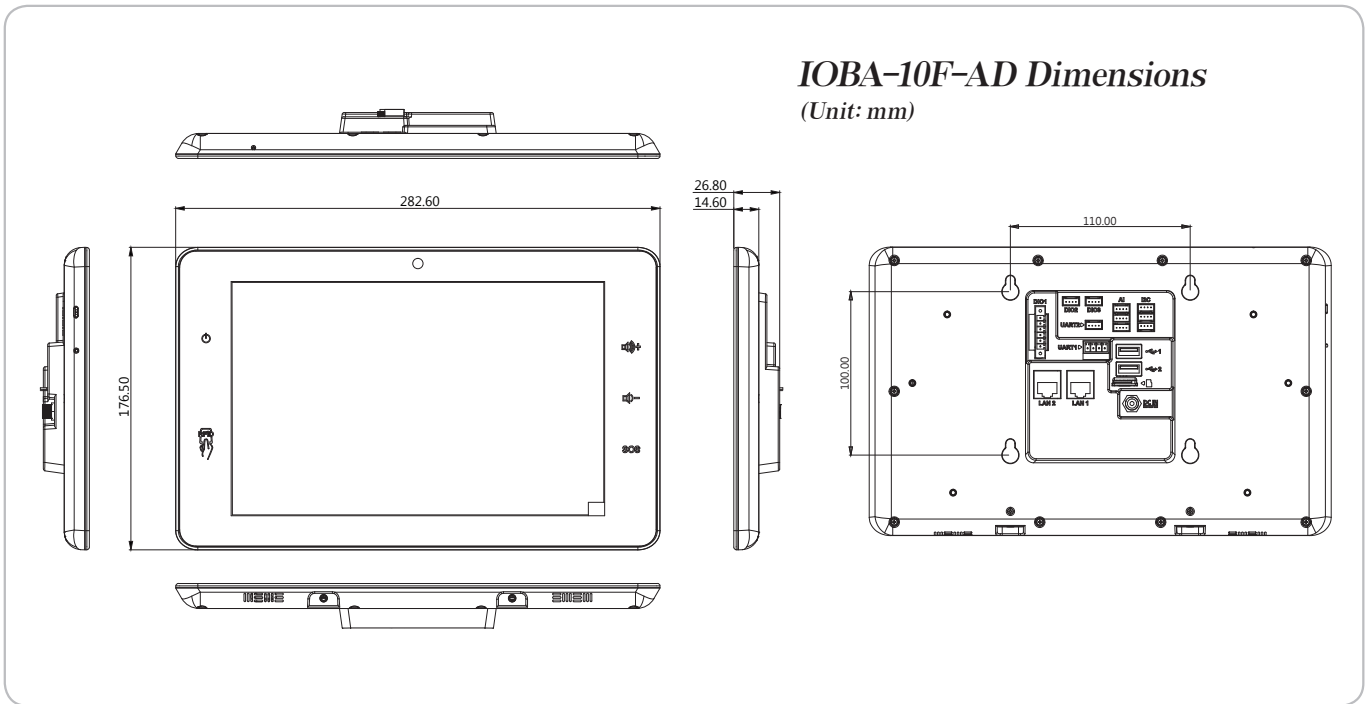
Part No.	Description
IOBA-10F-AD-R10	10.1",Freescale i.MX6 Cortex-A9 QC 1.0GHz, POE 802.3at, COM port, DIO, 4pin sensor connector, Front Camera, NFC, Android 5.1, RoHS
IOBA-10F-AD-ET-R10	10.1",Freescale i.MX6 Cortex-A9 QC 1.0GHz, POE 802.3at, COM port, Front Camera, Android 5.1, RoHS

Options

Item	IOBA-10F-AD
Power Adapter	63040-010060-130-RS (Vin:90~264VAC;60W;Vout:12VDC)
Panel Mount Kit	FPK-01-R10

IOBA-10F-AD Dimensions

(Unit: mm)



IOBA-10F-AD-ET Dimensions

(Unit: mm)

