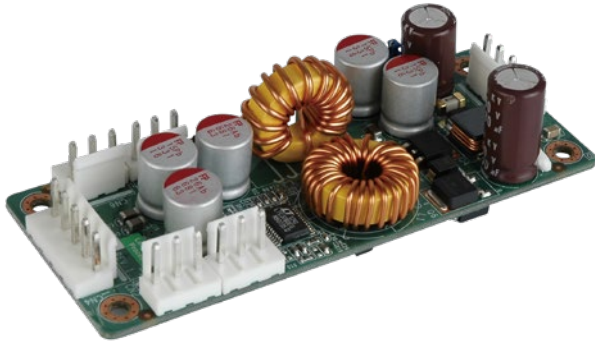


IDD-936260A

60 W DC/DC Converter Module

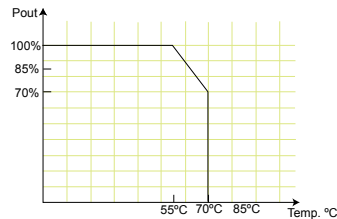


Features

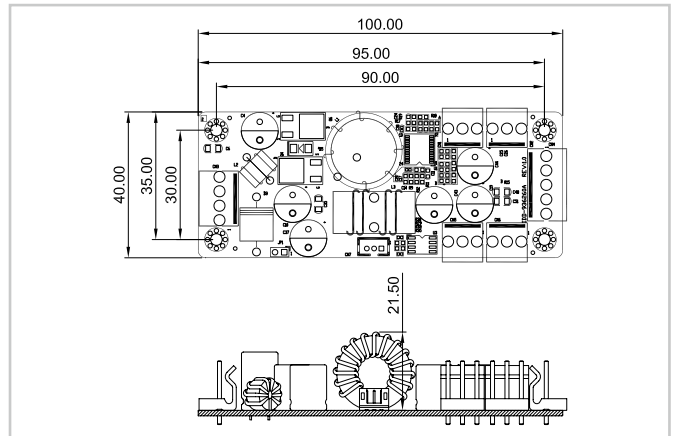
1. Wide input range: 9-36 VDC
2. AT or ATX mode on/off
3. Up to 90% efficiency
4. RoHS compliant
5. Compact size

Specifications

- Output (max.): 12 V@3 A, 5 V@10 A & 5VSB@0.5 A
- Max. total output: 60 W
- Input: 9 VDC to 36 VDC
- Performance characteristics
 - Noise & ripple: <240 mV
 - Line regulation: <50 mV
 - Load regulation: <100 mV
 - Efficiency: Up to 90%
- Dimensions (mm): 40 x 100
- Weight (NW): 58 g
- Operating temperature: -20°C ~ 70°C



Dimensions (Unit: mm)



Pin Assignments

Input Power Connector

CN3	Pin 1	Pin 2	Pin 3	Pin 4
	VIN	VIN	GND	GND

Output Power Connector

CN4	Pin 1	Pin 2	Pin 3	Pin 4	Pin 5
	+5 V	+5 V	GND	GND	+12 V

CN1 CN2 CN5 CN6	Pin 1	Pin 2	Pin 3
	+5 V	GND	+12 V

ATX Mode Connector

CN7	Pin 1	Pin 2	Pin 3
	5VSB	GND	PS_ON

Packing Information

1 x IDD-936260A

1 x QIG

Ordering Information

Part No.	Description
IDD-936260A-R11	60 W DC/DC 9~36 V input, 12 V, 5 V & 5VSB output
CB-3PSATA-RS	10 cm cable for SATA power
CB-3PIIDE-RS	10 cm cable for IDE HDD power
CB-NOLP4-RS	20 cm cable for terminal block DC input

Wire Harness Selection Guide

DC Input (CN3)



Option 1.

PN: CB-NOLP4-RS
Cable for terminal block

I/O Power (CN1, CN2, CN5 & CN6)



Option 1.

PN: CB-3PSATA-RS
Cable for SATA



Option 2.

PN: CB-3PIIDE-RS
Cable for IDE HDD or any STD
4 pins I/O devices